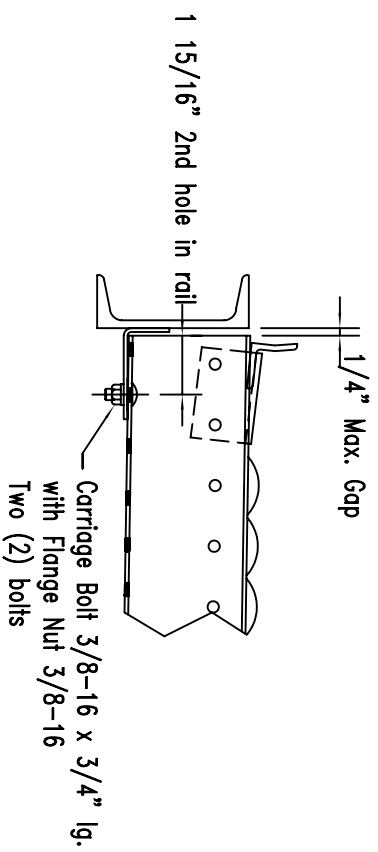
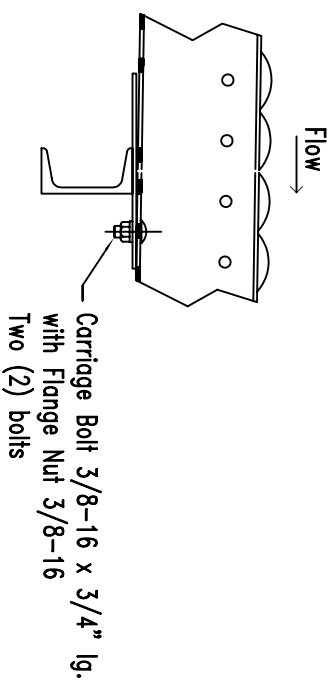


Rail Splice



Entry/Exit



Mid Span