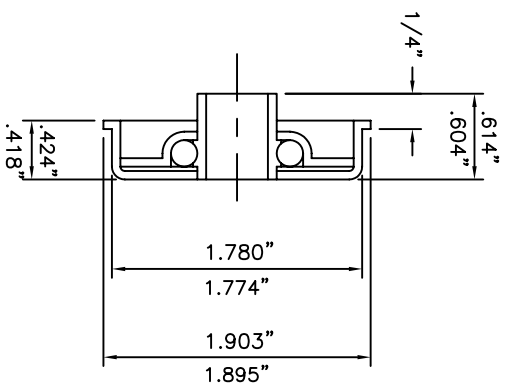


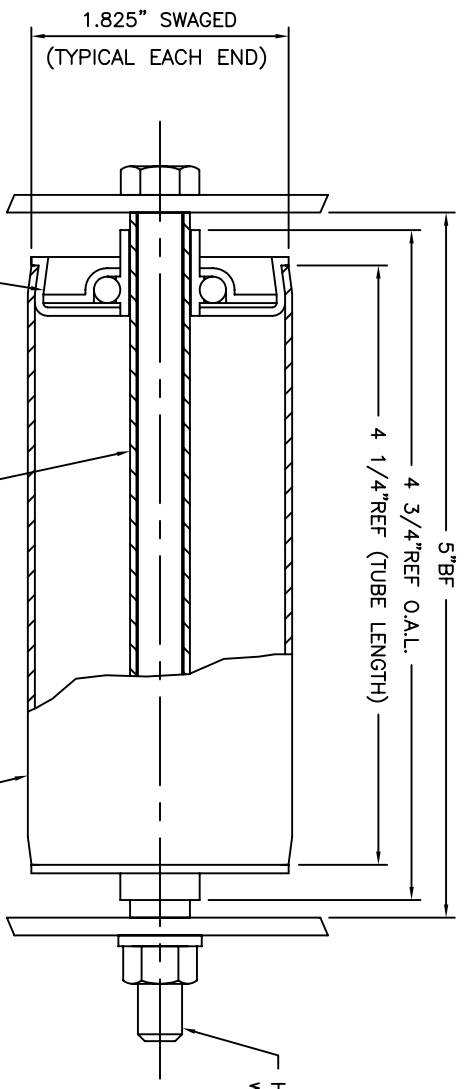
BEARING DETAIL



PRESSED IN BEARING
 FRANTZ MAN. CO. #1009
 W/ 7/16" DIA ROUND HOLE

SPACER TUBE (5"BF)

ROLLER TUBE
 1 7/8" O.D. X 16GA (.065) X 4 1/4" LG
 ELECTRIC RESISTANCE WELDED ASTM A-513



HHCS 5/16"-18 X 6" LG
 W/ SERRATED FLANGE NUT